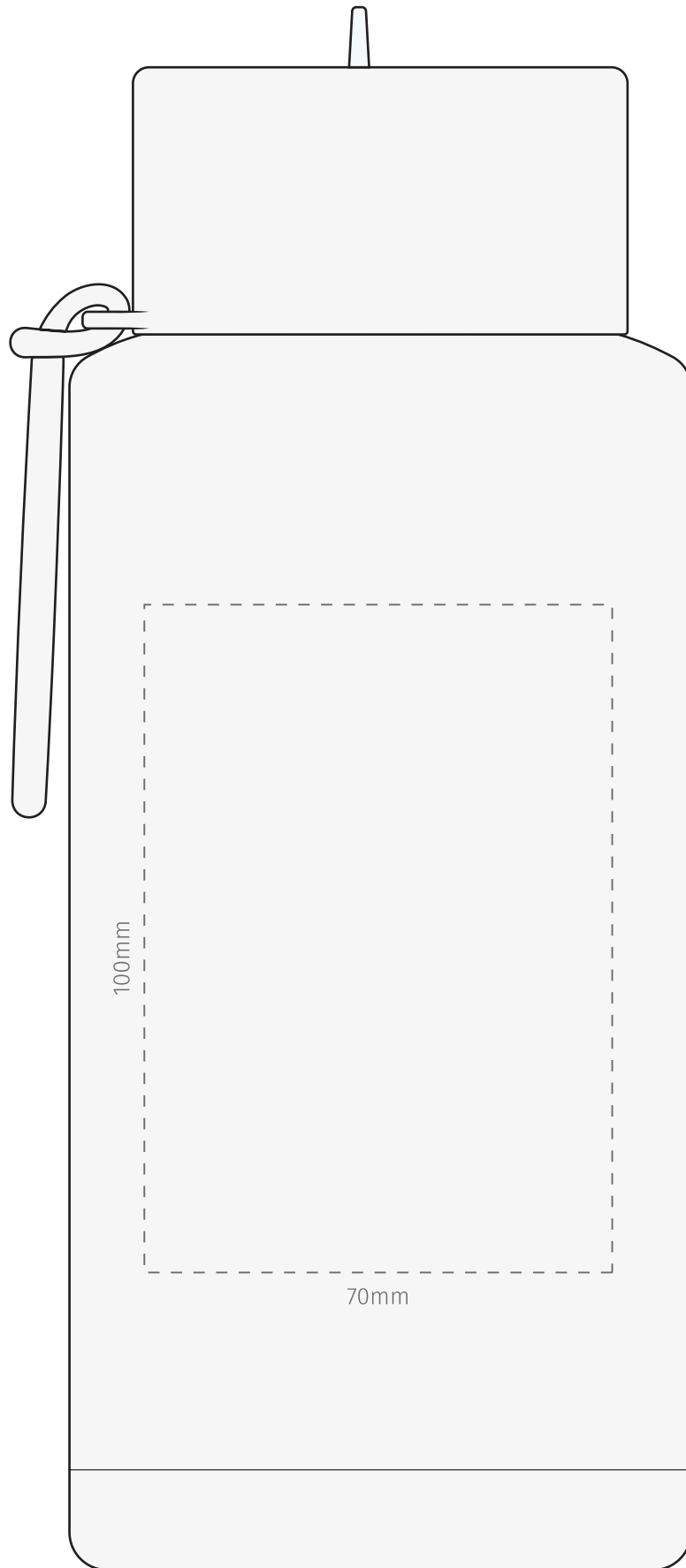


**TEMPLATE:**  
■ AQUAFY BOTTLE



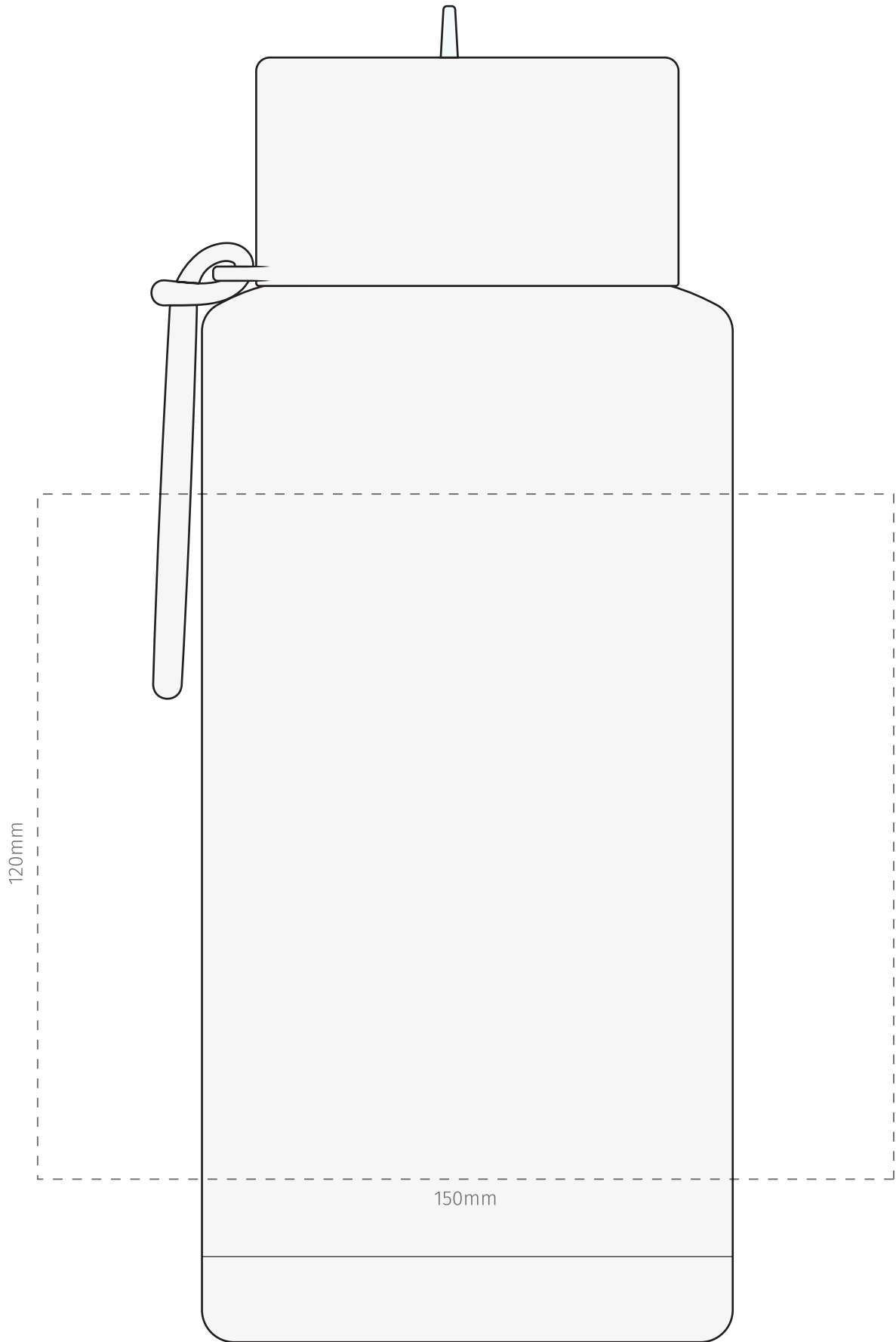
Item shown at 100% actual size when viewed on A4 paper

**BRANDING - Engraved**

Maximum engrave area 70 x 100mm



**TEMPLATE:**  
■ AQUAFY BOTTLE



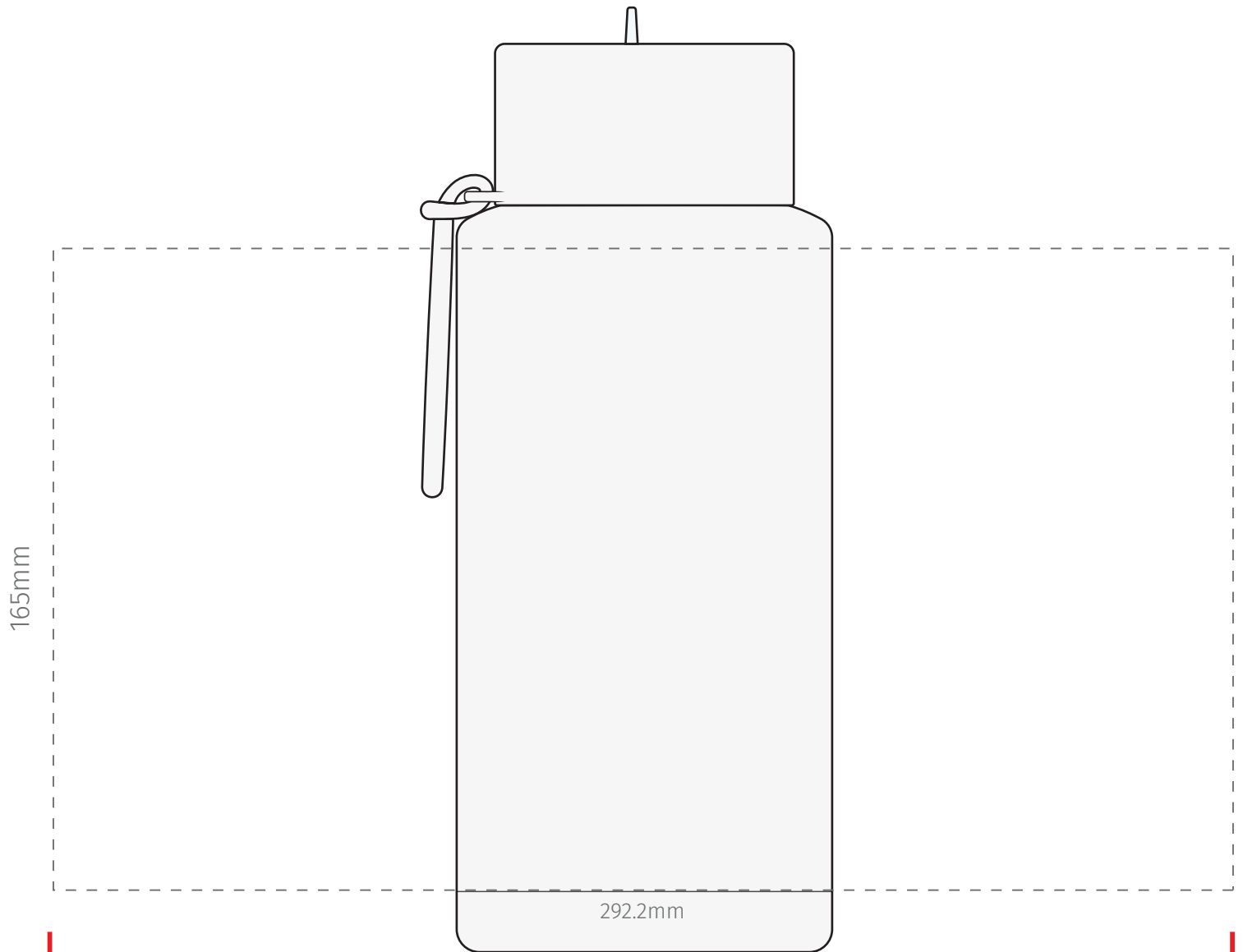
Item shown at 100% actual size when viewed on A4 paper

**BRANDING - Screenprint**

Maximumm print area 150 x 120mm (1 colour)



**TEMPLATE:**  
■ AQUAFY BOTTLE



Item shown at 65% actual size when viewed on A4 paper

Artwork will be wrapped around the bottle. The left and right edges of this area meet. To avoid misalignment at the seam, ensure patterns or borders are seamless, and avoid placing important text near the edges.

If placing multiple logos or key elements, note that they may appear much closer together once wrapped around the bottle than they seem in the flat layout. Avoid assuming elements placed far apart will land on opposite sides. Please consult us if unsure.

**BRANDING - Digital Rotary**

Maximumm print area 292.2 x 165mm

